

Penlon East Area Valve Service Unit

Wall Mounted • Flush / Surface Fitting

Classification

- Gas and Vacuum specific coded NIST complying with BS EN 737-1, BS 5682:1984, HTM 2022, HTM02 and C11

Services

- Oxygen
- Nitrous Oxide
- 50% Oxygen / 50% Nitrous Oxide
- Air 400 kPa (4 Bar)
- Air 700 kPa (7 Bar)
- Medical Vacuum
- Nitrogen
- CO₂

Available Sizes

- 22 mm pipework - 200 mm stubs
- 28 mm pipework - 200 mm stubs
- 42 mm pipework - 300 mm stubs
- Valve boxes available with no NISTs on stub pipes for other services for isolation in case of emergency

Stub Assembly

- Brass flange silver soldered to a copper stub
- NIST connectors with brass non-return valve (excluding vacuum unit)
- Fully degreased

Valve Box Assembly

- 16 SWG steel, powder coated white box
- Colour coded door with gas description
- Designed to avoid gas escape into the building structure
- Non-interchangeable gas coded lockable door

Tailpipe Options

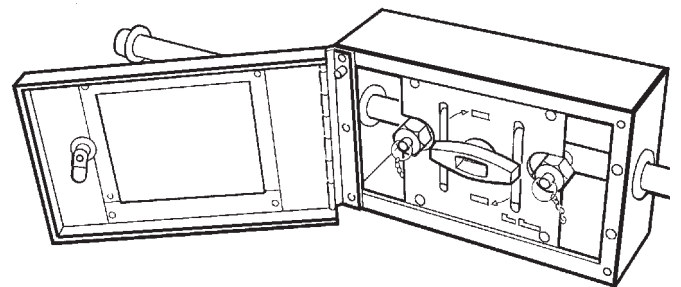
- Left, right, top, bottom and rear entry

Emergency Access

- Break glass
- Plastic pull out window

Mounting Options

- Surface
- Semi-flush



Part Numbers

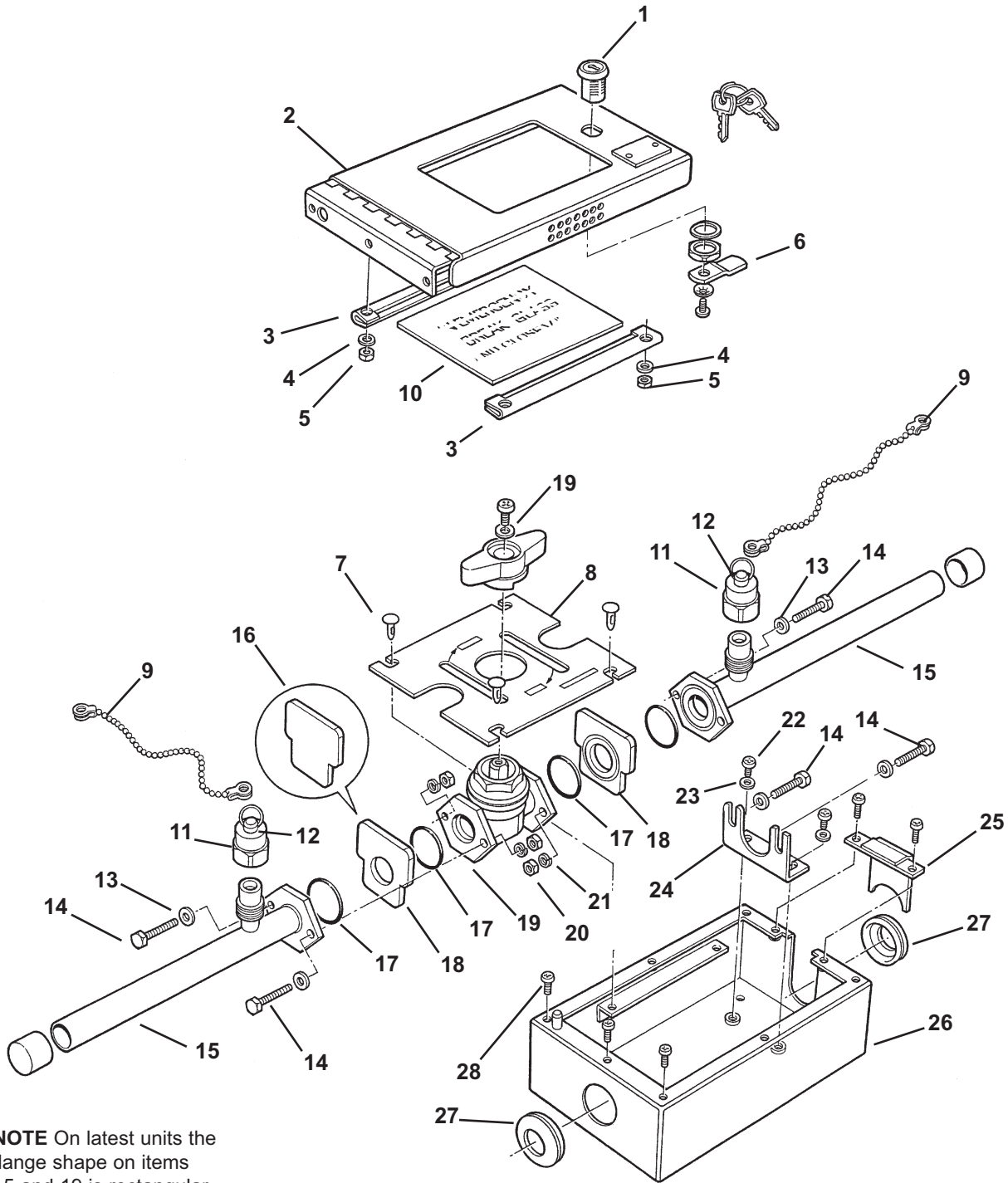
Service	22 mm Tailpipe	28 mm Tailpipe
Oxygen	067460	067507
Nitrous Oxide	067461	067508
50% O ₂ / 50% N ₂ O	067462	067509
Air 400 kPa	067463	067510
Air 700 kPa	067464	067511
Vacuum	067465	067512
CO ₂	TBA	TBA
Nitrogen	TBA	TBA

Refer to next pages for further information



Penlon East Area Valve Service Unit

Wall Mounted • Flush / Surface Fitting



NOTE On latest units the flange shape on items 15 and 19 is rectangular



Penlon East Area Valve Service Unit

Wall Mounted • Flush / Surface Fitting

Ref.	Part No.	Description	Quantity
1	009136	Lock mechanism	1
2	063676/1	Box lid	1
3	034881/1	Retaining strip	2
4	F904	M4 C form plain washer	4
5	FA03	M3 hex nut	4
6	009138	Latch tab	1
7	009246	Button	4
8	068075	Indicator plate	1
9	009093	Clip fastener	4
10	073476	AVSU Break Glass	1
11	012571	NIST nut	2
12	009227	Sealing Plug O-ring	2
13	F805	M5 Plain washers	4
14	F00525	M5 X25 Hex head screw	4
15	TBA	Gas specific NIST stub assembly	2
16	3260166	Blank plate	1
17	B0869	O-ring	5
18	3260027	Through plate	2
19	350122	3/4" valve assembly	1
20	FA05	M5 nut	4
21	F705	M5 spring washer	4
22	F10406	M4 X6 Pan head screw	2
23	F804	M4 plain washer	2
24	065541/1	Valve support bracket	1
25	063704/1	Locking strip	1
26	063334/1	Valve box	1
27	009876	White grommet	2
28	F10412	M4 X12 Pan head screw	9