

## Penlon Line Valves

Lockable Line Valve • NIST Lockable Line Valve • In-line Non-Return Valve

### Classification

- Gas and Vacuum specific coded NIST complying with BS EN 737-1, BS 5682:1984, HTM 2022, HTM02 and C11
- CE marked

### Services

- Oxygen
- Nitrous Oxide
- 50% Oxygen / 50% Nitrous Oxide
- Air 400 kPa (4 Bar)
- Air 700 kPa (7 Bar)
- Medical Vacuum
- Nitrogen
- Carbon Dioxide

### Stub Assembly

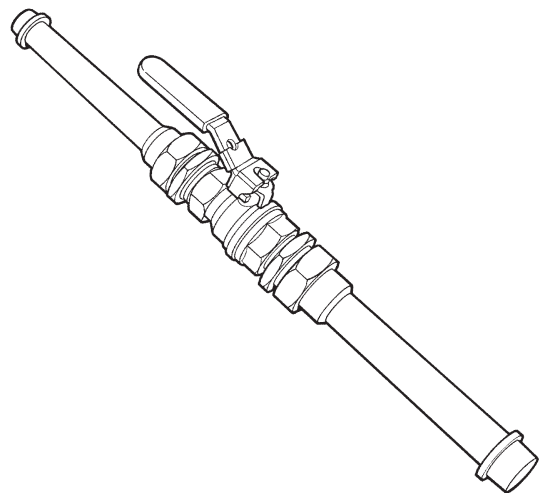
- Brass flange silver soldered to a copper stub
- Coded NIST connectors with brass Non-Return valve (excluding vacuum unit) where applicable
- Fully degreased

### Valve construction

- Brass Non-Return Valve where applicable
- Quarter turn ball valves die cast nickel plated brass alloy body with nitrile seals
- Degreased for Oxygen use

### Accessories

- Padlocks available for all sizes of lockable line valves
- Colour coded adhesive gas tape and directional arrows available
- Fluxless silver solder available for inert gas welding



### Part Numbers

Pipe Size	Lockable Line Valve	Non-Return Valve
15 mm	350201	3269500
22 mm	350202	3269501
28 mm	350203	3269502
35 mm	350204	3269504
42 mm	350205	3269505
54 mm	350206	3269506
76 mm	350207	N/A
108 mm	350208	N/A

**For NIST Lockable Line Valve part numbers please contact the sales department**



## Penlon Line Valves

### Lockable Line Valve

**Lockable Line Valve**

**Pipe Size**  
See table below

**Stub Length**  
See table below

**Length**  
See table below

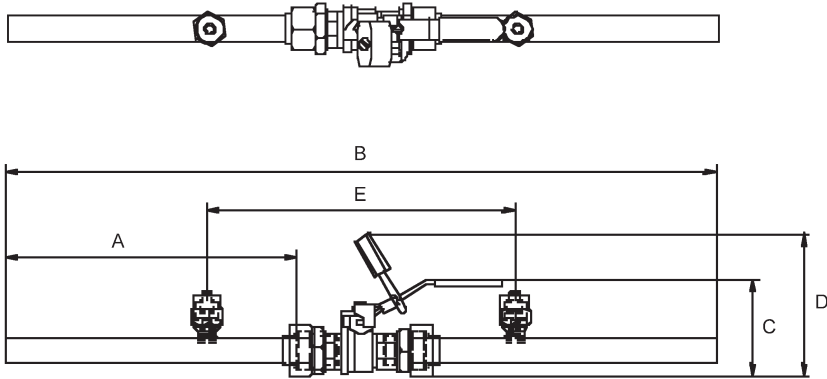
**Height**  
See table below

All dimensions are in millimetres

Pipe Size	Stub Length 'A'	Length 'B'	Height 'C'	Height 'D' (approximate)	O-ring Reference
Ø 15 mm	202 mm	508 mm	60 mm	90 mm	041265
Ø 22 mm	203 mm	520 mm	85 mm	115 mm	3262662
Ø 28 mm	203 mm	544 mm	90 mm	120 mm	B 1125
Ø 35 mm	253 mm	653 mm	105 mm	135 mm	009230
Ø 42 mm	254 mm	684 mm	115 mm	145 mm	041266
Ø 54 mm	253 mm	701 mm	130 mm	160 mm	B0553
Ø 76 mm	306 mm	820 mm	220 mm	250 mm	041132
Ø 108 mm	310 mm (incl. NIST)	830 mm	220 mm	250 mm	041132

## Penlon Line Valves

### NIST Lockable Line Valve



**NIST Lockable Line Valve**

**Pipe Size**  
See table below

**Stub Length**  
See table below

**Length**  
See table below

**Height**  
See table below

**NIST CRS.**  
See table below

All dimensions are in millimetres

Pipe Size	Stub Length 'A'	Length 'B'	Height 'C'	Height 'D' (approx)	NIST CRS. 'E'	O-ring Reference
Ø 15 mm	253 mm	608 mm	60 mm	90 mm	252 mm	041265
Ø 22 mm	253 mm	620 mm	85 mm	115 mm	264 mm	3262662
Ø 28 mm	253 mm	644 mm	90 mm	120 mm	288 mm	B 1125
Ø 35 mm	253 mm	653 mm	105 mm	135 mm	297 mm	009230
Ø 42 mm	253 mm	684 mm	115 mm	145 mm	328 mm	041266
Ø 54 mm	253 mm	701 mm	130 mm	160 mm	345 mm	B0553
Ø 76 mm	306 mm	820 mm	220 mm	250 mm	470 mm	041132
Ø 108 mm	310 mm	830 mm	220 mm	250 mm	480 mm	041132



## Penlon Line Valves

### In-line Non-Return Valve

**In-line Non-Return Valve**

**Pipe Size**  
See table below

**Stub Length**  
See table below

**Length**  
See table below

All dimensions are in millimetres

Pipe Size	Stub length 'A'	Length 'B'	O-ring Reference
Ø 15 mm	202 mm	506 mm	041265
Ø 22 mm	203 mm	517 mm	3262662
Ø 28 mm	203 mm	535 mm	B 1125
Ø 35 mm	253 mm	642 mm	009230
Ø 42 mm	254 mm	779 mm	041266
Ø 54 mm	253 mm	908 mm	B0553