

Penlon Zeus Area Valve Service Unit

Wall Mounted • Flush / Surface Fitting

Classification

- Gas and Vacuum specific coded NIST complying with BS EN 737-1, BS 5682:1984, HTM 2022, HTM02 and C11

Services

- Oxygen
- Nitrous Oxide
- 50% Oxygen / 50% Nitrous Oxide
- Air 400 kPa
- Air 700 kPa
- Medical Vacuum
- Nitrogen
- CO₂

Available Sizes

- 22 mm pipework - 200 mm stubs
- 28 mm pipework - 200 mm stubs

Valve Assembly

- Diecast, nickel plated brass body, cap and stem
- Chrome plated brass ball with nitrile seats
- Fully degreased

Stub Assembly

- Brass flange silver soldered to a 200 mm copper stub
- NIST connectors with brass non-return valve (excluding vacuum unit)
- Fully degreased

Valve Box Assembly

- Universal first fix backplate and injection moulded cover
- Colour coded service ID
- Injection moulded door with emergency access

Tailpipe Options

- Left and right side entry only

Emergency Access

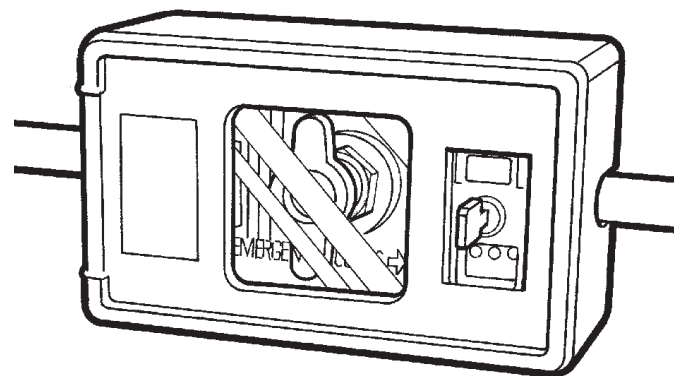
- Break glass or quick release window

Installation Kit

- Universal kit for surface or flush fitting

Accessories

- Blank plate for testing purposes
- Wall fixing kit, including rawl plugs and screws



Part Numbers

Service	22 mm Tailpipe	28 mm Tailpipe
Oxygen	3269301	360050
Nitrous Oxide	3269302	360051
50% O ₂ / 50% N ₂ O	3269303	360052
Air 400 kPa	3269304	360053
Air 700 kPa	3269305	360054
Vacuum	3269306	360055
CO ₂	TBA	TBA
Nitrogen	TBA	TBA

Refer to next pages for further information



Penlon Zeus Area Valve Service Unit

Wall Mounted • Flush / Surface Fitting

Flush fitting with tailpipe (22 mm or 28 mm)

Installed Height
N/A

Installed Size
Height 160 mm
Width 265 mm

Protrusion (from wall)
20 mm

Depth into wall
79 mm

All dimensions are in millimetres

Surface fitting with tailpipe (22 mm or 28 mm)

Installed Height
N/A

Installed Size
Height 140 mm
Width 245 mm

Protrusion (from wall)
96 mm

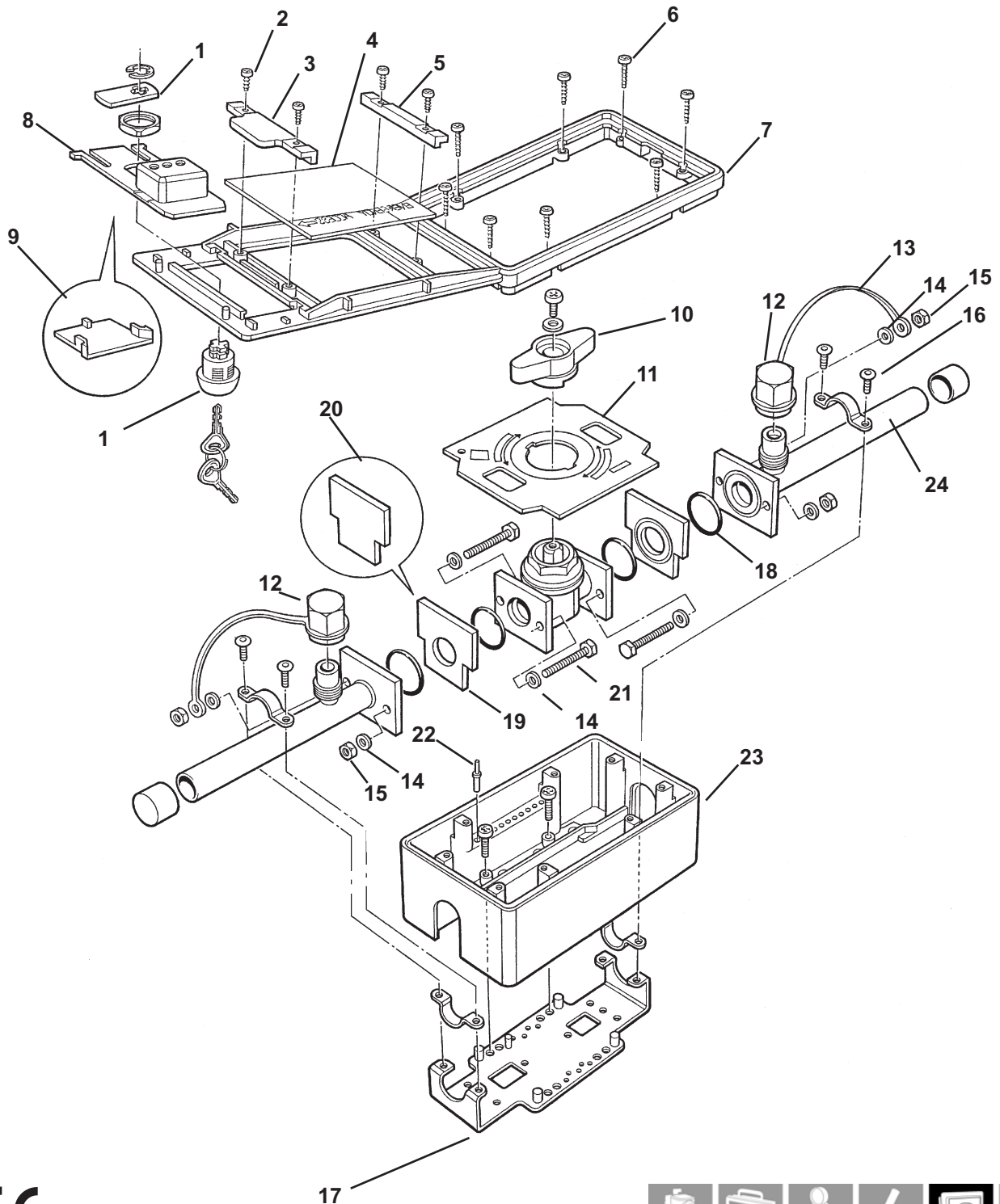
Depth into wall
Nil

All dimensions are in millimetres



Penlon Zeus Area Valve Service Unit

Wall Mounted • Flush / Surface Fitting





Penlon Zeus Area Valve Service Unit

Wall Mounted • Flush / Surface Fitting

Ref.	Part No.	Description	Quantity
1	3263339	Lock mechanism	1
2	3262537	5/8" Self-tapping screws	6
3	TBA	Window bar	1
4	3263337	Plastic window	1
5	TBA	Window bar	1
6	3262538	1/4" x 5/16" screws	4
7	TBA	Plastic door	1
8	3262502	Red access slider	1
9	3263606	Slider reset tool	1
10	TBA	Handle and screw	1
11	3263853	Open and close label	1
12	TBA	Brass NIST nut	2
13	3264102	NIST nut strap	2
14	TBA	M5 washer	8
15	TBA	M5 nut BZP	8
16	TBA	M4 screws	4
17	3263332	Back plate	1
18	TBA	22 mm pipe flange O-ring	4
19	TBA	Black / white through plate	2
20	TBA	Red blank plate	1
21	TBA	M5 Screw	4
22	3263335	Gas coding pin	1
23	3262500	Plastic valve box	1
24	TBA	Complete line valve insert consisting of valve & pipes	1