

Penlon Zeus Area Valve Service Unit

Wall Mounted • Flush / Surface Fitting

Classification

- Gas and Vacuum specific coded NIST complying with BS EN 737-1, BS 5682:1984, HTM2022 and C11

Services

- Oxygen
- Nitrous Oxide
- 50% Oxygen / 50% Nitrous Oxide
- Air 400 kPa
- Air 700 kPa
- Medical Vacuum
- Nitrogen
- CO₂

Available Sizes

- 22 mm pipework - 200 mm stubs
- 28 mm pipework - 200 mm stubs

Valve Assembly

- Diecast, nickel plated brass body, cap and stem
- Chrome plated brass ball with nitrile seats
- Fully degreased

Stub Assembly

- Brass flange silver soldered to a 200 mm copper stub
- NIST connectors with brass non-return valve (excluding vacuum unit)
- Fully degreased

Valve Box Assembly

- Universal first fix backplate and injection moulded cover
- Colour coded service ID
- Injection moulded door with emergency access

Tailpipe Options

- Left and right side entry only

Emergency Access

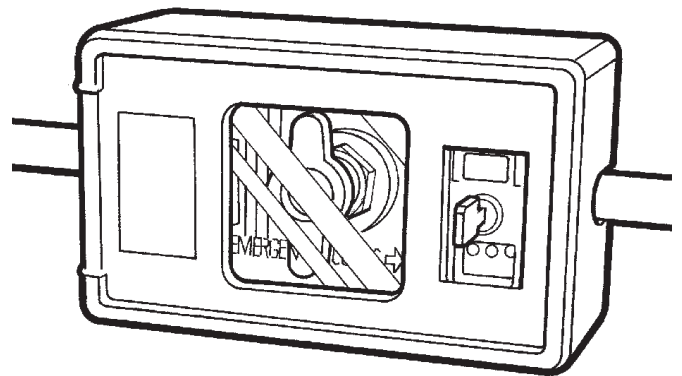
- Break glass or quick release window

Installation Kit

- Universal kit for surface or flush fitting

Accessories

- Blank plate for testing purposes
- Wall fixing kit, including rawl plugs and screws



Part Numbers

| Service | 22 mm Tailpipe | 28 mm Tailpipe |
|---|----------------|----------------|
| Oxygen | 3269301 | 360050 |
| Nitrous Oxide | 3269302 | 360051 |
| 50% O ₂ / 50% N ₂ O | 3269303 | 360052 |
| Air 400 kPa | 3269304 | 360053 |
| Air 700 kPa | 3269305 | 360054 |
| Vacuum | 3269306 | 360055 |
| CO ₂ | TBA | TBA |
| Nitrogen | TBA | TBA |

Refer to next pages for further information



Penlon Zeus Area Valve Service Unit

Wall Mounted • Flush / Surface Fitting

Flush fitting with tailpipe (22 mm or 28 mm)

Installed Height
N/A

Installed Size
Height 160 mm
Width 265 mm

Protrusion (from wall)
20 mm

Depth into wall
79 mm

All dimensions are in millimetres

Surface fitting with tailpipe (22 mm or 28 mm)

Installed Height
N/A

Installed Size
Height 140 mm
Width 245 mm

Protrusion (from wall)
96 mm

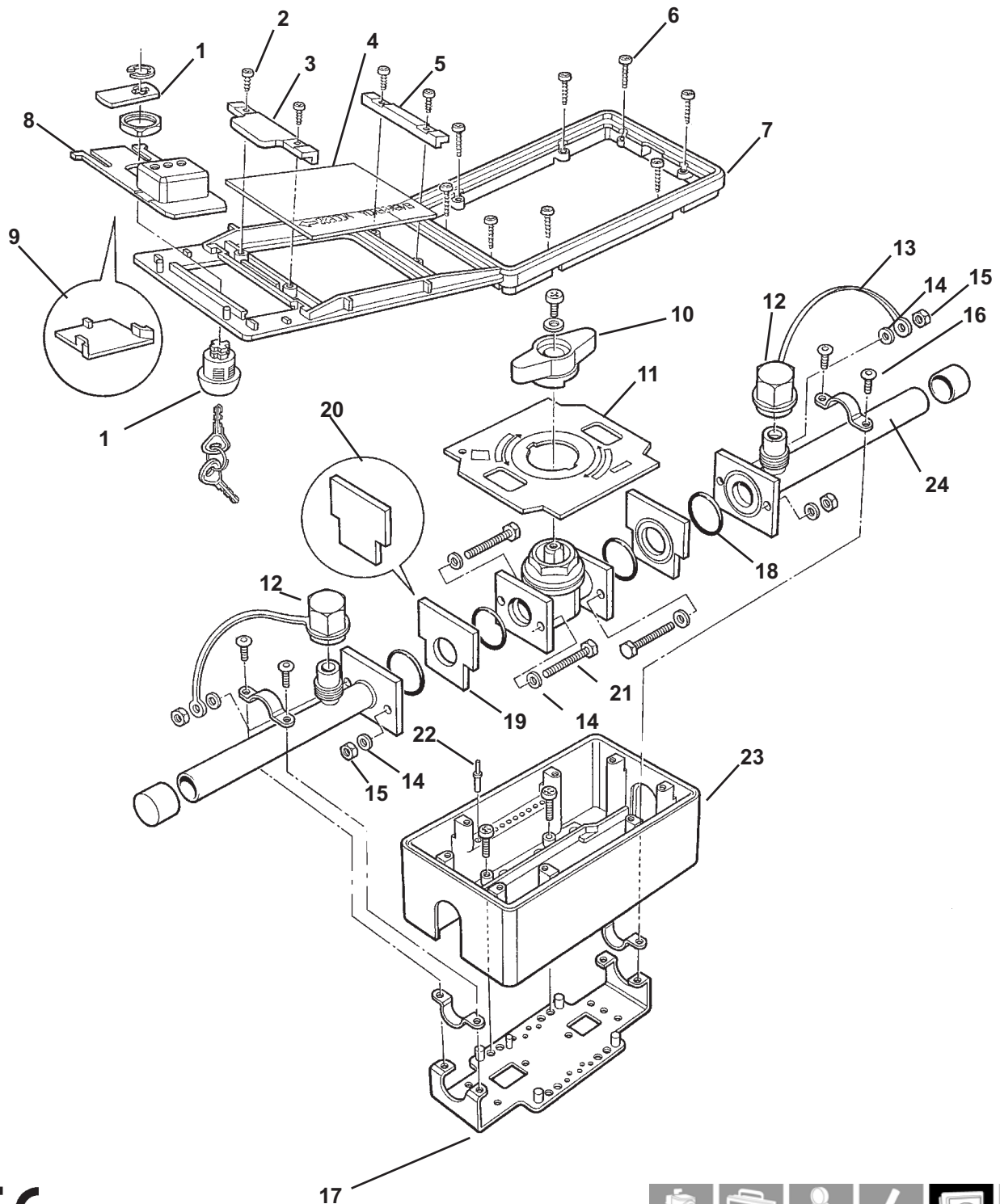
Depth into wall
Nil

All dimensions are in millimetres



Penlon Zeus Area Valve Service Unit

Wall Mounted • Flush / Surface Fitting





Penlon Zeus Area Valve Service Unit

Wall Mounted • Flush / Surface Fitting

| Ref. | Part No. | Description | Quantity |
|------|----------|---|----------|
| 1 | 3263339 | Lock mechanism | 1 |
| 2 | 3262537 | 5/8" Self-tapping screws | 6 |
| 3 | TBA | Window bar | 1 |
| 4 | 3263337 | Plastic window | 1 |
| 5 | TBA | Window bar | 1 |
| 6 | 3262538 | 1/4" x 5/16" screws | 4 |
| 7 | TBA | Plastic door | 1 |
| 8 | 3262502 | Red access slider | 1 |
| 9 | 3263606 | Slider reset tool | 1 |
| 10 | TBA | Handle and screw | 1 |
| 11 | 3263853 | Open and close label | 1 |
| 12 | TBA | Brass NIST nut | 2 |
| 13 | 3264102 | NIST nut strap | 2 |
| 14 | TBA | M5 washer | 8 |
| 15 | TBA | M5 nut BZP | 8 |
| 16 | TBA | M4 screws | 4 |
| 17 | 3263332 | Back plate | 1 |
| 18 | TBA | 22 mm pipe flange O-ring | 4 |
| 19 | TBA | Black / white through plate | 2 |
| 20 | TBA | Red blank plate | 1 |
| 21 | TBA | M5 Screw | 4 |
| 22 | 3263335 | Gas coding pin | 1 |
| 23 | 3262500 | Plastic valve box | 1 |
| 24 | TBA | Complete line valve insert consisting of valve & pipes | 1 |